

# HD D-SUB

SOLDER CUP



## SPECIFICATIONS

### Material:

**Shell:** Steel, tin-plated  
**Insulator:** PBT, glass reinforced thermoplastic, rated UL 94V-0  
**Insulator color:** Black  
**Contacts:** Phosphor Bronze  
**Hardware:** Brass, nickel plated

### Plating:

5 µin gold on contact area over 50 µin nickel underplate, gold flash on solder-pins

### Electrical:

**Operation voltage:** 250 VAC max  
**Current rating:** 3 Amps max  
**Contact resistance:** 20 mΩ max  
**Insulation resistance:** 3000 MΩ min @ 1000 VDC between adjacent contacts (75° F and 50% R.H.)  
**Dielectric withstanding voltage:** 1000 VAC min rms (sea level)



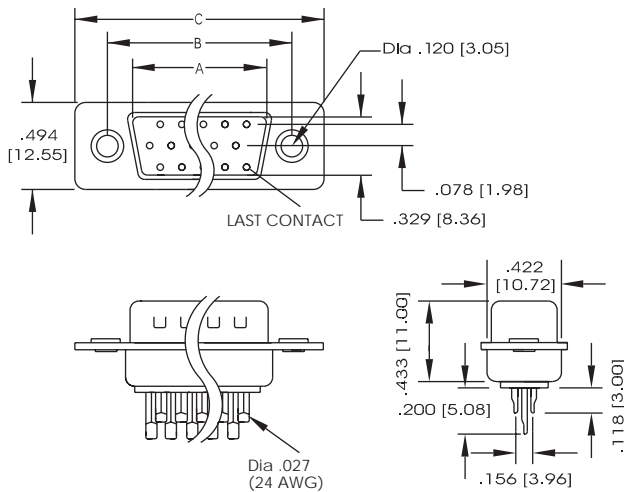
## ORDERING INFORMATION

choose one from each category as shown in sample below

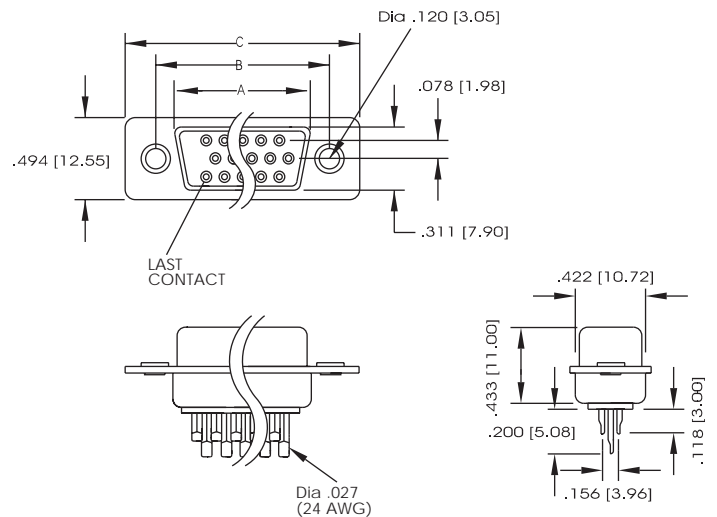
HDA Series	15P Positions/Gender	Options (add as suffix to part number)
HDA HD D-Sub Solder Cup	<b>Plug:</b> 15P, 26P, 44P, 62P, 78P <b>Socket:</b> 15S, 26S, 44S, 62S, 78S	<b>CN</b> - Clinch nut <b>RJ</b> - Riveted Jack Screw



### PLUG



### SOCKET



### Socket Dimensions

### Plug Dimensions

Contacts	A	B	C	Contacts	A	B	C
15	.643 (16.33)	.984 (24.99)	1.213 (30.81)	15	.666 (16.92)	.984 (24.99)	1.213 (30.81)
26	.971 (24.66)	1.312 (33.32)	1.541 (39.14)	26	.994 (25.25)	1.312 (33.32)	1.541 (39.14)
44	1.511 (38.38)	1.852 (47.04)	2.088 (53.04)	44	1.534 (38.96)	1.852 (47.04)	2.088 (53.04)
62	2.159 (54.84)	2.500 (63.50)	2.729 (69.32)	62	2.182 (55.42)	2.500 (63.50)	2.729 (69.32)
78	2.064 (52.43)	2.406 (61.11)	2.635 (66.93)	78	2.079 (52.81)	2.406 (61.11)	2.635 (66.93)

Unit: inch/mm

## MOUNTING OPTIONS

