

HD D-SUB

STRAIGHT PCB MOUNT

SPECIFICATIONS

Material:

Shell: Steel, tin-plated
Insulator: PBT, glass reinforced thermoplastic, rated UL 94V-0
Insulator color: Black
Contacts: Phosphor Bronze
Hardware: Brass, nickel plated

Plating:

5 µin gold. on contact area over 50 µin nickel underplate, gold flash on solder-pins

ORDERING INFORMATION

choose one from each category as shown in sample below

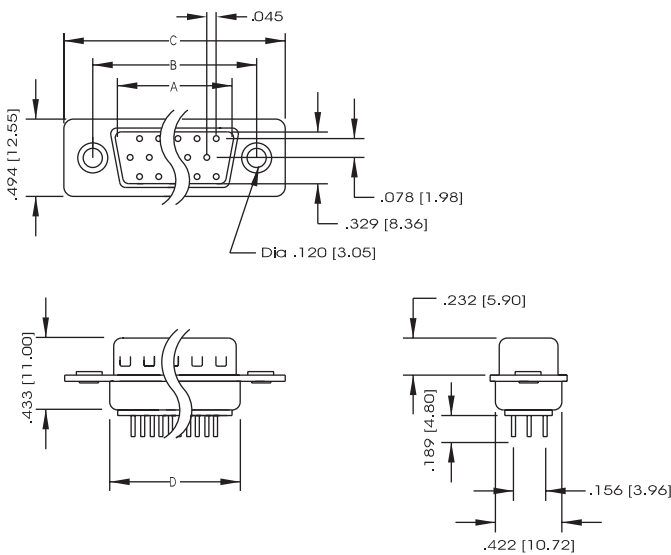
HDB		15P	Options (add as suffix to part number)
Series	Positions/ Gender		
HDB	Plug: 15P, 26P, 44P, 62P, 78P Socket: 15S, 26S, 44S, 62S, 78S		CN - Clinch nut RJ - Riveted Jack Screw BS - Boardsnaps
HD D-Sub Straight PCB Mount			

Electrical:

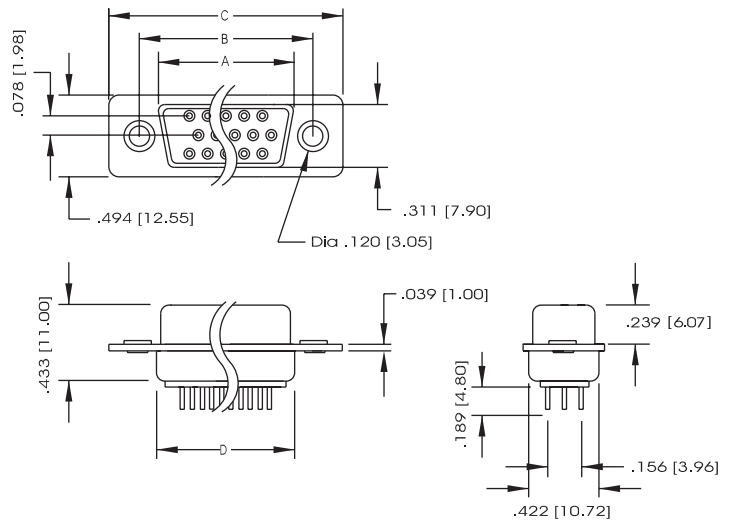
Operation voltage: 250 VDC max
Current rating: 3 Amps max
Contact resistance: 20 mΩ max
Insulation resistance: 3000 MΩ min @ 1000 VDC between adjacent contacts (75° F and 50% R.H.)
Dielectric withstanding voltage: 1000 VAC min rms (sea level)



PLUG



SOCKET



Socket Dimensions				Plug Dimensions			
Contacts	A	B	C	Contacts	A	B	C
15	.643 (16.33)	.984 (24.99)	1.213 (30.81)	15	.666 (16.92)	.984 (24.99)	1.213 (30.81)
26	.971 (24.66)	1.312 (33.32)	1.541 (39.14)	26	.994 (25.25)	1.312 (33.32)	1.541 (39.14)
44	1.511 (38.38)	1.852 (47.04)	2.088 (53.04)	44	1.534 (38.96)	1.852 (47.04)	2.088 (53.04)
62	2.159 (54.84)	2.500 (63.50)	2.729 (69.32)	62	2.182 (55.42)	2.500 (63.50)	2.729 (69.32)
78	2.064 (52.43)	2.406 (61.11)	2.635 (66.93)	78	2.079 (52.81)	2.406 (61.11)	2.635 (66.93)

Unit: Inch / mm

MOUNTING OPTIONS

CN Option

RJ Option

BS Option

PC Board Layout