

# D-SUB FLAT CABLE

IDC FLAT CABLE TERMINATION



## SPECIFICATIONS

### Material:

**Shell:** Steel, tin-plated  
**Insulator:** PBT, glass reinforced thermoplastic rated UL 94V-0  
**Insulator color:** Black  
**Contacts:** Phosphor Bronze  
**Rivet insert:** Brass, nickel-plated

### Plating:

5 µin gold on contact area over 50 µin nickel underplate

### Electrical:

**Operation voltage:** 250 VDC max  
**Current rating:** 3 Amps max  
**Contact resistance:** 20 mΩ max  
**Insulation resistance:** 3000 MΩ min @ 1000 VDC between adjacent contacts (75°F and 50% R.H.)  
**Dielectric withstanding voltage:** 1000 VAC min rms (sea level)



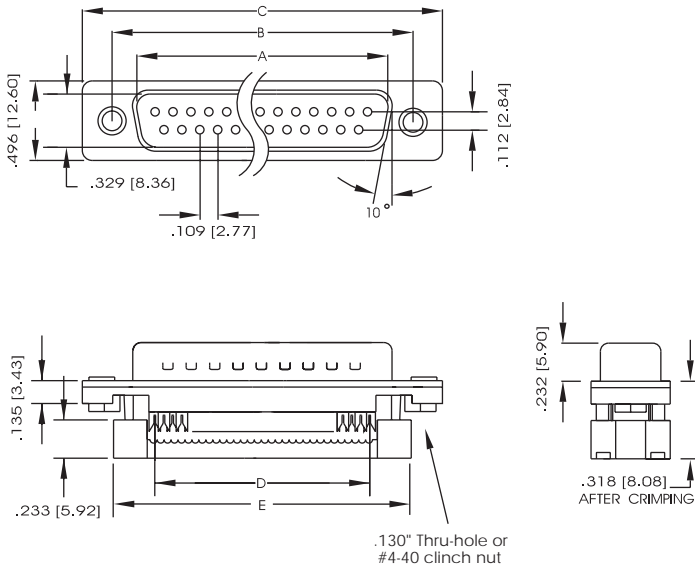
## ORDERING INFORMATION

choose one from each category as shown in sample below

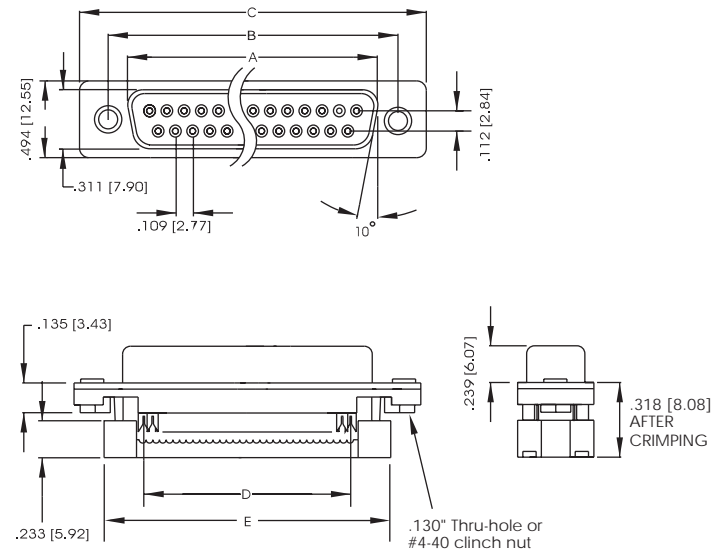
DF	25S	CN
Series	Positions/Gender	Mounting
DE - D-Sub for Flat Cable plastic body	<b>Plug:</b> 9P, 15P, 25P, 37P, 50P	<b>0</b> - .130" Mounting Hole <b>CN</b> - #4-40 Clinch Nut
DF - D-Sub for Flat Cable metal shell	<b>Socket:</b> 9S, 15S, 25S, 37S, 50S	<b>Strain Relief Part No.:</b> DF-SR-XX XX - No. Positions



## PLUG



## SOCKET



### Dimensional: Socket

Contacts	A	B	C	D	E
9	.643 (16.33)	.984 (24.99)	1.213 (30.81)	.400 (10.16)	.882 (22.40)
15	.971 (24.66)	1.312 (33.32)	1.541 (39.14)	.700 (17.78)	1.213 (30.80)
25	1.511 (38.38)	1.852 (47.04)	2.088 (53.04)	1.200 (30.48)	1.752 (44.50)
37	2.159 (54.84)	2.500 (63.50)	2.729 (69.32)	2.182 (45.72)	2.417 (61.40)

Unit: inch/mm

### Dimensional: Plug

Contacts	A	B	C	D	E
9	.666 (16.92)	.984 (24.99)	1.213 (30.81)	.400 (10.16)	.882 (22.40)
15	.994 (25.25)	1.312 (33.32)	1.541 (39.14)	.700 (17.78)	1.213 (30.80)
25	1.534 (38.96)	1.852 (47.04)	2.088 (53.04)	1.200 (30.48)	1.752 (44.50)
37	2.182 (55.42)	2.500 (63.50)	2.729 (69.32)	1.800 (45.72)	2.417 (61.40)

Unit: inch/mm